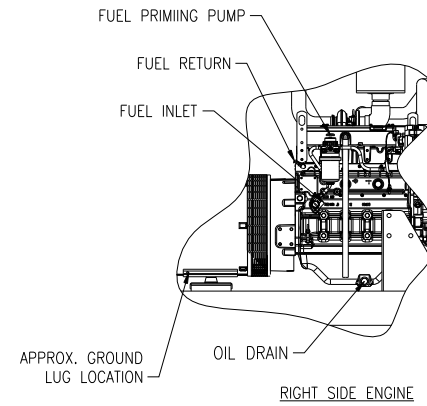
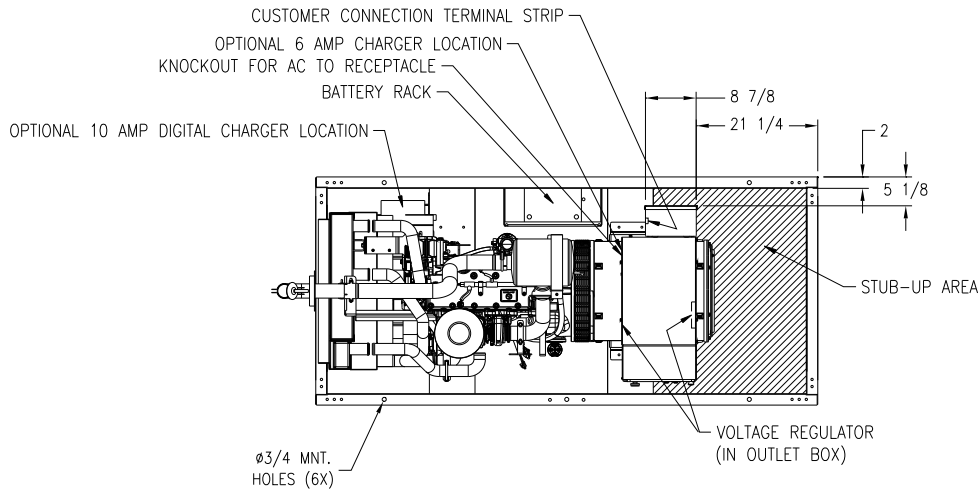
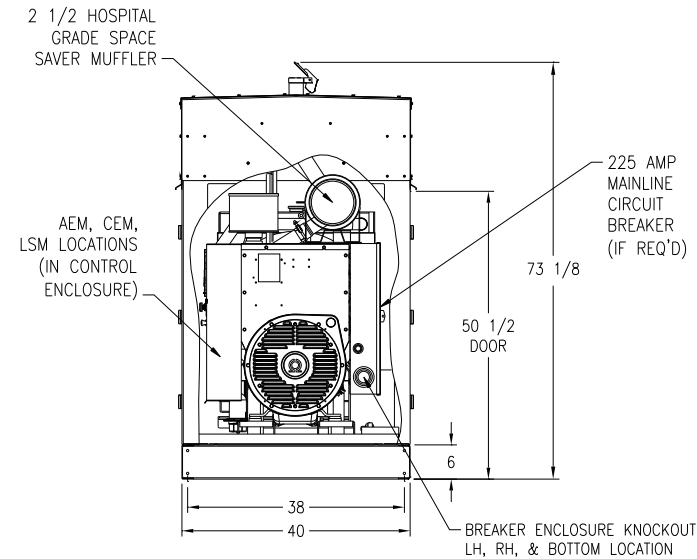
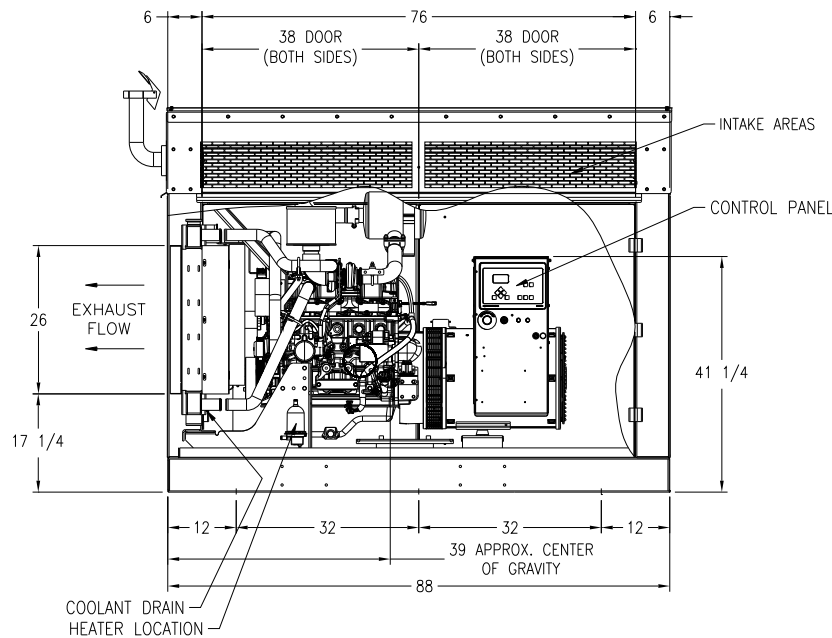


DWG. #: DS60D6SPA(5030HF)L1-MD



NOTES:

1. SUB-BASE FUEL TANK INFORMATION:
 OVERALL HEIGHT OF UNIT WILL INCREASE WITH USE OF OPTIONAL SUB-BASE FUEL TANK. REFERENCE SALES CATALOG FOR TANK HEIGHT AND GALLON CAPACITY INFORMATION.
2. FUEL SYSTEM CONNECTIONS:
 (FOR UNITS WITHOUT SUB-BASE FUEL TANKS)
 INLET: 3/8 NPT OUTLET: 3/8 NPT
3. HOUSING NOT SHOWN ON TOP VIEW
4. APPROX. UNIT WEIGHTS: DRY: 2750# WET: 2850#



DRAWING TOLERANCES: ±1/4"
 EXCEPT BASE MTG. HOLES: ±1/8"

REVISION	DATE	REVISION DESCRIPTION	INITIALS
B	1-12-10	REMOVED FORK POCKETS	MTH
A	07-20-09	INITIAL RELEASE TO SALES AND ENGINEERING	JTG



THIS DRAWING IS PROPERTY OF MTU ONSITE ENERGY CORPORATION AND CANNOT BE USED EXCEPT IN CONNECTION WITH MTU ONSITE ENERGY CORPORATION POWER GENERATION PROJECTS. ANY THIRD PARTY MODIFICATION MAY VOID THIS DRAWING. MTU ONSITE ENERGY CORPORATION RESERVES ALL RIGHTS OF THIS DRAWING.

GEN-SET INFORMATION	
ENGINE: 5030HF285	ENCLOSURE: PH103683
GENERATOR: 361 CSL	BREAKER: 225 AMP
RADIATOR: 86880(DR-2853)	TANK: NA
RADIATOR AMBIENT: 50C	MUFFLER: 2 1/2 SP. SAVER
DUCT FLANGE: -	TRAILER: NA
CONTROL PANEL: DGC-2020	ISOLATORS: PADS
BASE: PH103681	

DIMENSIONAL LAYOUT	
DRAWN TO SCALE	MODEL: DS60D6SPA
ALL DIMENSIONS ARE IN INCHES	
DATE: 07-20-08	DRAWN BY: JTG
DWG. #: DS60D6SPA(5030HF)L1-MD	