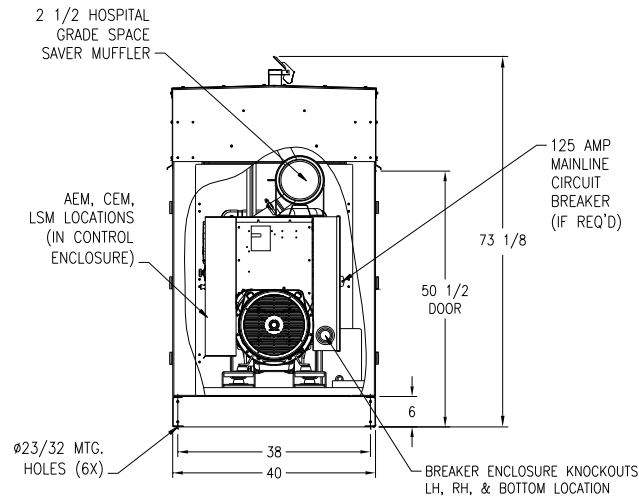
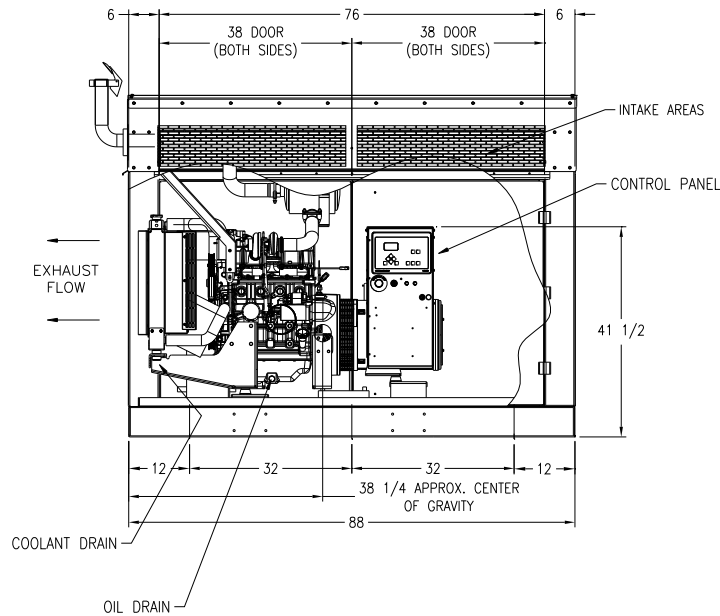


**NOTES:**

1. SUB-BASE FUEL TANK INFORMATION:  
OVERALL HEIGHT OF UNIT WILL INCREASE WITH USE OF OPTIONAL SUB-BASE FUEL TANK. REFERENCE SALES CATALOG FOR TANK HEIGHT AND GALLON CAPACITY INFORMATION.
2. FUEL SYSTEM CONNECTIONS:  
(FOR UNITS WITHOUT SUB-BASE FUEL TANKS)  
INLET: 3/8 NPT    OUTLET: 3/8 NPT
3. HOUSING NOT SHOWN ON TOP VIEW
4. HOUSING IS SOUND ATTENUATED WITH FOAM
5. APPROX. UNIT WEIGHTS: DRY: 2550#    WET: 2800#



DRAWING TOLERANCES: ±1/4"  
EXCEPT BASE MTG. HOLES: ±1/8"

**GEN-SET INFORMATION**

ENGINE: 4024TF281  
GENERATOR: 283 CSL  
RADIATOR: 73808(SRF4024)  
RADIATOR AMBIENT: 50C  
DUCT FLANGE: -  
CONTROL PANEL: DGC-2020  
BASE: PH103681

ENCLOSURE: PH103683  
BREAKER: 125 AMP  
TANK: NA  
MUFFLER: 2 1/2 SP. SAVER  
TRAILER: NA  
ISOLATORS: PADS

**DIMENSIONAL LAYOUT**

DRAWN TO SCALE    MODEL: DS30D6SPA  
ALL DIMENSIONS ARE IN INCHES  
DATE: 07-30-09    DRAWN BY: JTG

DWG. #: DS30D6SPA(4024TF)L2-MS



THIS DRAWING IS PROPERTY OF MTU ONSITE ENERGY CORPORATION AND CANNOT BE USED EXCEPT IN CONNECTION WITH MTU ONSITE ENERGY CORPORATION POWER GENERATION PROJECTS. ANY THIRD PARTY MODIFICATION MAY VOID THIS DRAWING. MTU ONSITE ENERGY CORPORATION RESERVES ALL RIGHTS OF THIS DRAWING.

REVISION	DATE	REVISION DESCRIPTION	INITIALS
B	1-12-10	REMOVED FORK POCKETS	MTH
A	07-29-09	INITIAL RELEASE TO SALES AND ENGINEERING	JTG