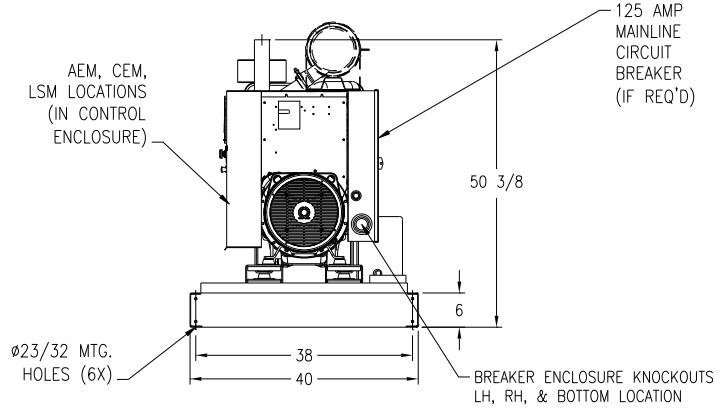
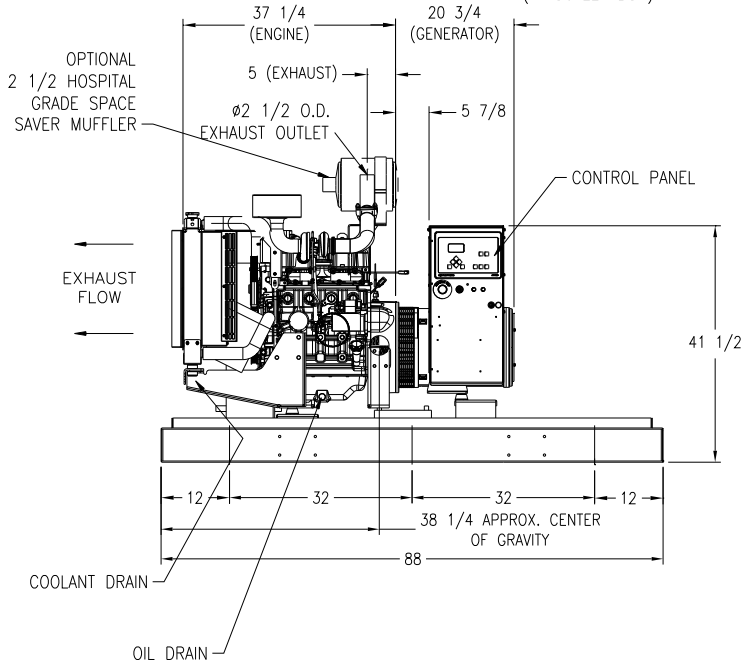


- NOTES:**
- SUB-BASE FUEL TANK INFORMATION:
 OVERALL HEIGHT OF UNIT WILL INCREASE WITH USE OF OPTIONAL SUB-BASE FUEL TANK. REFERENCE SALES CATALOG FOR TANK HEIGHT AND GALLON CAPACITY INFORMATION.
 - FUEL SYSTEM CONNECTIONS:
 (FOR UNITS WITHOUT SUB-BASE FUEL TANKS)
 INLET: 3/8 NPT OUTLET: 3/8 NPT
 - APPROX. UNIT WEIGHTS: DRY: 1550# WET: 1800#



DRAWING TOLERANCES: ±1/4"
 EXCEPT BASE MTG. HOLES: ±1/8"

REVISION	DATE	REVISION DESCRIPTION	INITIALS
C	6-24-10	ADDED OPTIONAL MUFFLER	MTH
B	1-12-10	REMOVED FORK POCKETS	MTH
A	07-29-09	INITIAL RELEASE TO SALES AND ENGINEERING	JTG



THIS DRAWING IS PROPERTY OF MTU ONSITE ENERGY CORPORATION AND CANNOT BE USED EXCEPT IN CONNECTION WITH MTU ONSITE ENERGY CORPORATION POWER GENERATION PROJECTS. ANY THIRD PARTY MODIFICATION MAY VOID THIS DRAWING. MTU ONSITE ENERGY CORPORATION RESERVES ALL RIGHTS OF THIS DRAWING.

GEN-SET INFORMATION	
ENGINE: 4024TF281	ENCLOSURE: NA
GENERATOR: 283 CSL	BREAKER: 125 AMP
RADIATOR: 73808(SRF4024)	TANK: NA
RADIATOR AMBIENT: 50C	MUFFLER: 2 1/2 SP. SAVER
DUCT FLANGE: -	TRAILER: NA
CONTROL PANEL: DGC-2020	ISOLATORS: PADS
BASE: PH103681	

DIMENSIONAL LAYOUT	
DRAWN TO SCALE ALL DIMENSIONS ARE IN INCHES	MODEL: DS30D6SPA
DATE: 07-30-09	DRAWN BY: JTG
DWG. #: DS30D6SPA(4024TF)LO-MS	